



Thermocouple Input Module

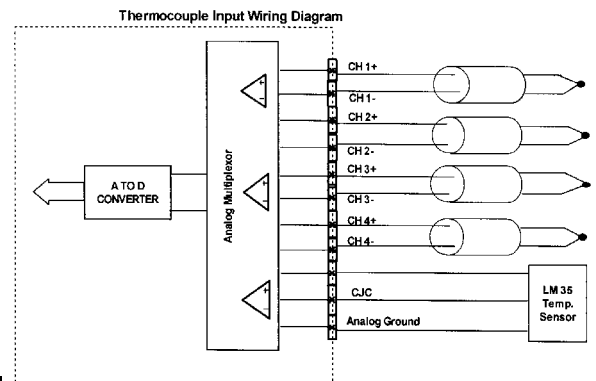
EZIO-4THI



**Terminal Block
300 Volt/10 Amp/
14AWG UL Rating**

Module Specifications	
Number of Channels	4, differential
Common Mode Range	-1.5 VDC to +4.0 VDC
Common Mode Rejection	100dB min. @ VDC 50/60Hz
Input Impedance	5MΩ
Absolute Maximum Ratings	Fault-protected inputs to ±50 VDC
Accuracy vs. Temperature	± 15ppm/°C max. 0-1.25V ±35 ppm/°C max. (including max. offset change)
PLC Update Rate	4 channels per scan
Base Power Required	10mA @ 3.3 VDC supplied by base
Operating Temperature	32° to 140°F (0° to 60°C)
Storage Temperature	-4° to 158°F (-20° to 70°C)
Relative Humidity	5 to 95% (non-condensing)
Environmental Air	No corrosive gases permitted
Vibration	MIL STD 810C 514.2
Shock	MIL STD 810C 516.2
Noise Immunity	NEMA ICS3-304
Replacement Terminal Block	EZIO-TERM11CJC (comes with CJC)

Pinout Information	
Pin No.	4 Thermocouple Input
1	CHAN1 + (Input)
2	CHAN1 - (Input)
3	CHAN2 + (Input)
4	CHAN2 - (Input)
5	CHAN3 + (Input)
6	CHAN3 - (Input)
7	CHAN4 + (Input)
8	CHAN4 - (Input)
9	+ 5 VDC
10	Vout (Temp. Sensor)
11	Analog GND



Thermocouple Specifications			
Input Ranges	Type J	Range in C -190 to 760°C	Range in F -310 to 1400°F
	Type K	-150 to 1372°C	-238 to 2502°F
	Type S	65 to 1768°C	149 to 3214°F
	Type T	-230 to 400°C	-382 to 752°F
Display Resolution	± 0.1°C or ± 0.1°F		
Cold Junction Compensation	Automatic		
Conversion Time	1ms per channel		
Warm-Up Time	30 minutes typically ± 1°C repeatability		
Linearity Error (End to End)	± 1°C max. ± 0.5°C typical		
Maximum Inaccuracy	± 3°C (excluding thermocouple error)		